

Wall Pack Lighting

YML-1WP02 Series

Models passed DLC listed:

YML-1WP02-80
YML-1WP02-100

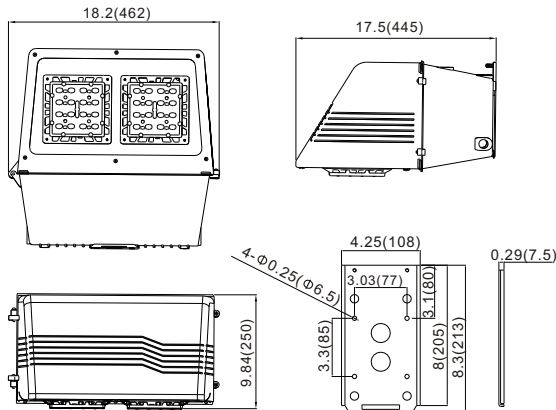


Applications

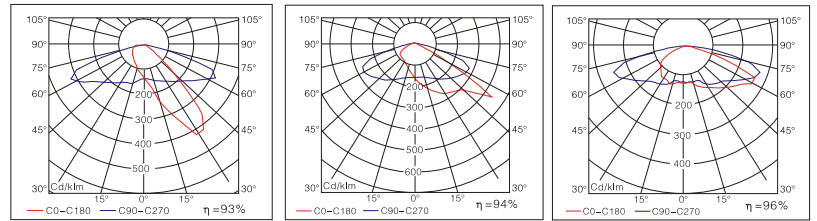
Parks, Shopping Malls, Courtyards, Historic Areas, etc.

- Efficiency of chips: 150-165 lm/w
- LENS: Optical grade PC, anti-UV oxidation.
- Beam Angle: Type II, Type III, Type IV
- Housing : die casting aluminum housing with excellent heat dissipation , surface treated with powder coated finish for corrosion and static resistance.
- Input voltage: 120-277 VAC, 50/60HZ
- LED module can be dismantled separately for maintenance.
- LED driver: constant current, efficiency is up to 92%, PF ≥ 0.95.
- IP class: IP65

Dimension [Inch(mm)]



Distribution Curve Flux



Ordering Information

Example: YML-1WP02-80-750-C-3-1

Company code	Voltage	Type	Power	Ra	Colour Temp.	Colour Options	Optic	Options
YML	1 120~277VAC 2 200~240VAC 3 100~120VAC 4 277~480VAC 5 347~480VAC	WP 02	80 (80W 9500Lumens) 100(100W 11500Lumens)	7 70 8 80 9 90	27 2700K 30 3000K 40 4000K 50 5000K 57 5700K 65 6500K	C Coffee (standard) B Black S Silver	2 Type II 3 Type III 4 Type IV	1 0~10V dimming 5 Wireless